

## OPERATION

To operate, turn on the switch. It will be illuminated when on and will be dull when off.

Your Warmrail Heated Towel Rack costs less or about as much as running a regular light bulb. It will take approximately 45 minutes for the Heated Towel Rack to reach its operating temperature, although this time will be shorter if towels are in place.

The Warmrails Heated Towel Rack operates with a fixed power output. However, when operated with several layers of towels over the Heated Towel Rack, the temperature will increase. Once the towels are removed and where the rails are exposed, the temperature of the Heated Towel Rack will quickly drop back.

Please note: damp or wet material that has either been dyed, or is not colorfast, can cause discoloration in the finish if that material is draped over a Heated Towel Rack while hot. Again, it is suggested that items are dried by using a completely protective layer of material such as a towel underneath.

**Warning – this appliance is intended only for drying textiles washed in water. Fabrics that contain soap or detergent residue may show what appears to be scorch marks. However this is simply the discoloration of the residue.**

**Warmrails does not accept responsibility for any damage, discoloration or other damage to any item regardless of circumstance. To reduce the possibility of damage, do not place any items other than towels directly on the Heated Towel Rack – always have a completely protective layer of towels between the Heated Towel Rack and any other item.**

## CARE

The Heated Towel Rack should be wiped down from time to time with a damp cloth.

**Do not use any abrasive or corrosive cleaners**

Marketed and Distributed by

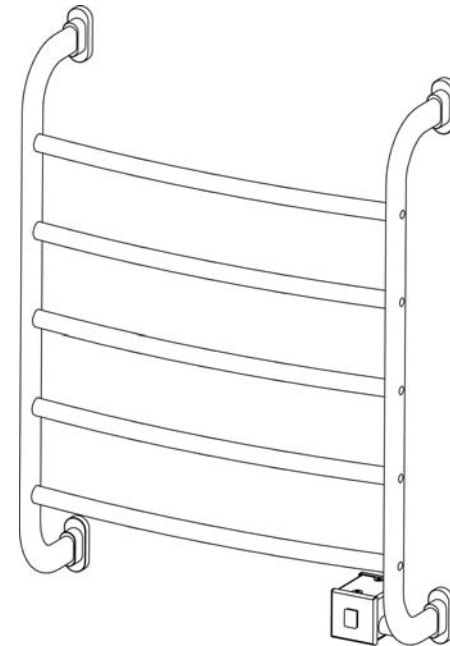
**Warmrails**

Huntington Beach, CA 92649  
Phone Toll Free: 877.927.6724

**Warmrails**

# HW/SW REGENT TOWEL WARMER AND DRYING RACK

## INSTRUCTION MANUAL



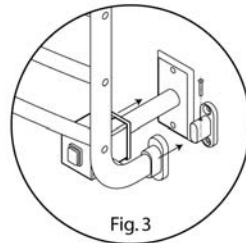
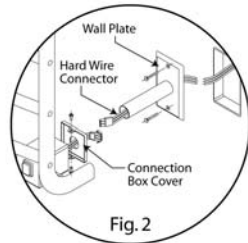
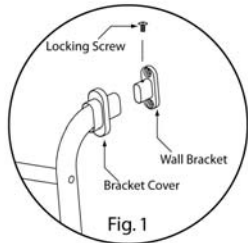
Printed in China

**cUL** US LISTED

## ASSEMBLY

This appliance must be used in accordance with any prevailing electrical code and relevant electrical wiring rules and regulations and in particular those regulations that cover use of appliances and accessories in damp situations such as bathrooms, showers, laundries and other areas with fixed water containers.

Your Warmrail comes complete with all the mounting hardware you require, which includes 8 screws, 8 wall anchors, 4 wall brackets, 4 bracket covers, 4 locking screws, 1 "hard-wire" Connector, 1 "hard-wire" Connection Box Back Cover, and 1 Wall Plate Cover. Remove all the components from the carton and make sure that all parts are present. If any parts are missing, do not attempt to install the appliance, instead call Warmrails on 877.927.6724.



**The Warmrail is shipped in the "soft-wired" configuration.**

1. To install this unit as "soft-wired", position the four bracket covers on the Heated Towel Rack. (Refer to Fig 1).
2. Insert the four wall brackets (the pieces with the two screw holes) into the four mounts on the unit and secure them in place by inserting the four locking screws through the holes you will see at the top of each of the mounts (if you can't see the holes you most likely have the unit upside down).
3. With the wall brackets now firmly attached, hold the Heated Towel Rack against the wall in the location where you would like it to be installed, preferably on a stud. Use a pencil or pointed tool to mark the location of the screw holes onto the wall through the screw holes in the wall brackets. Put the Heated Towel Rack aside and drill pilot holes through the marks you have made on the wall.
4. You can just use screws to attach wall brackets that are conveniently on a stud. For the remaining wall brackets, use the wall anchors supplied. Push the wall anchors into the dry wall (you may need to make larger pilot holes where the wall anchors need to be located).
5. Attach each of the four brackets on the pilot holes or wall anchors you have placed on the wall by using the 8 screws provided. Tighten the screws until the wall mounts are firmly against the wall.
6. Place the Heated Towel Rack back in position against the wall on the installed brackets. Attach a locking screw over each of the mounts and tighten. Gently slide the bracket covers towards the wall to completely cover the wall brackets.
7. Once securely attached to the wall, the unit can be plugged into an electrical outlet (we recommend using a GFI protected outlet at all times) and your Warmrail is ready for use. Please note, this model must be installed with the power entry coming out from the bottom right-hand side of the unit.

**Important – Hard-Wired Installation Must Be Performed By A Licensed Electrician, In Accordance With Local & National Electrical Codes.**

1. Important - Make sure that the electricity has been disconnected.
2. To install the Heated Towel Rack in the "hard-wired" configuration, the back cover of the Connection Box must be removed. The power cord is disconnected by detaching it from the connector - the entire power cord and back cover are discarded.

3. Because this model is attached to the in-wall electrical box, placement is very important. Follow steps 1 through 6 from the installation instructions above, making sure that the placement of the Heated Towel Rack against the wall results in the Wall Plate fitting correctly over the in-wall electrical box and into the Connection Box Cover. Cut the tube down to size if necessary.
4. Attach the black, white and green wires to the electrical connections on the in-wall electrical box and feed the Connector through the Wall Plate tube. Screw the Wall Plate to the in-wall electrical box. (Refer to Fig 2).
5. Make sure wires are going through Connection Box Cover hole. Attach the "hard-wire" Connector to the connector inside the Heated Towel Rack's connection box. (Refer to Fig 2). Slide the Connection Box Cover back into position making sure the tube stays inside the connection box. (Refer to Fig 3). Screw the Connection Box Cover in place.
6. Mount the Heated Towel Rack securely on the wall. (Refer to Fig 3). Reconnect the power supply and your Warmrail is ready for use.

## SAFETY INFORMATION

When using any electrical appliance, basic safety precautions should always be observed.

### READ THESE INSTRUCTIONS CAREFULLY

- Do not use this appliance for other than its intended use.
- To avoid a hazard, the Heated Towel Rack MUST NOT be used to hold towels or any other articles that have been in contact with oil, petroleum based products or dry cleaning fluids.
- Use this appliance only on the voltage specified on the rating plate, or elsewhere in the instructions.
- Regulations require that only authorized persons carry out electrical work. For your own safety and that of others, ensure this is done.
- Do not store your Heated Towel Rack while hot or still connected to the power supply.
- Do not immerse the Heated Towel Rack in water or any other liquid.
- Do not allow the cord set to come into contact with heated surfaces during operation.
- This product should not be used outdoors.

### WARNINGS

#### HIGH OPERATING TEMPERATURE:

- This towel warmer operates at high temperature that can cause burns.
- Do not touch surfaces of the towel warmer while the warmer is in operation.
- Do not allow unsupervised children in the vicinity of the towel warmer; and warn children of hot surfaces.

#### TO AVOID THE POSSIBILITY OF ELECTROCUTION:

- Do not immerse towel warmer in water or any other liquid.
- Do not place towel warmer in a location where it may fall into a tub or shower, or otherwise become immersed in water; and if the towel warmer falls into water, immediately unplug it. Do not reach into the water.

## SPECIFICATIONS

HEIGHT	WIDTH	DEPTH
25 1/4"	18 5/8"	5 1/4"
Supply: 120 volts a.c. 60 Hz, single phase		