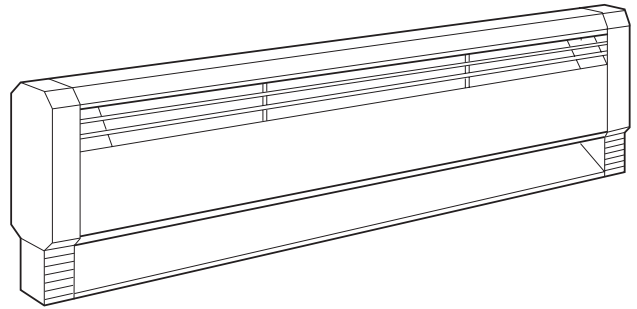




Marley
Engineered Products
An **SPX** Company



Electric/Hydronic Baseboard Heaters (Model D)


FILE #E37116

Installation & Maintenance Instructions

Dear Owner,

Congratulations! Thank you for purchasing this new heater manufactured by Marley Engineered Products. You have made a wise investment selecting the highest quality product in the heating industry. Please carefully read and follow the installation and maintenance directions shown in this manual. You should enjoy years of efficient heating comfort with this product from Marley Engineered Products... the industry's leader in design, manufacturing, quality and service.

*... The Employees of
Marley Engineered Products*



WARNING



Read Carefully - This instruction sheet contains vital information for the proper installation, use and efficient operation of the heater. Carefully read the manual before installation, operation, or cleaning of the heater. Failure to adhere to the instructions could result in fire, electric shock, death, serious personal injury or property damage. Save these instructions and review frequently for continuing safe operation and instructing future users.

WARNING: HAZARD OF FIRE OR ELECTRICAL SHOCK.

1. Keep all electrical cords, foam filled articles, drapes, bedding and other household furnishings away from contact with heater. It is recommended all items be kept a minimum of six (6") inches (152mm) from heater.
2. Do not install baseboard heater below electrical convenience receptacles (outlets).
3. Do not install baseboard heater against vinyl wallpa-

per, paperboard or low density fiberboard surface. Do not install vinyl drapes or vinyl blinds above heater.

4. Do not recess heater in wall.
5. The installation must comply with applicable local, and National Electrical Code and utility requirements.
6. Do not remove or by-pass thermal cutout.
7. To reduce the risk of fire, do not store or use gasoline or other flammable vapors and liquids in the vicinity of the heater.
8. Personal injury or death could result from electric shock. Disconnect all power to heater at main panel before attempting to install or service this heater.
9. Supply voltage must be the same as heater voltage. Check heater nameplate and supply voltage before energizing.
10. Supply wiring must be suitable for 90°C.

SAVE THESE INSTRUCTIONS

IMPORTANT

CAUTION

CERTAIN FABRICS DISCOLOR IN TIME FROM INDIRECT SUNLIGHT AND NORMAL ROOM TEMPERATURE - MOSTLY ORGANIC AND SYNTHETIC MATERIAL. THEY WILL DISCOLOR MORE RAPIDLY WHEN EXPOSED TO DIRECT SUNLIGHT AND WARM CURRENTS. HANG DRAPES TO PROVIDE MINIMUM OF 2 INCHES (51mm) AIR SPACE BETWEEN HEATER FRONT AND NEAREST DRAPE FOLD AS SHOWN IN EXAMPLE 1, FIGURE 1, OR 6 INCHES (152mm) AIR SPACE BETWEEN TOP OF HEATER AND BOTTOM OF DRAPES AS SHOWN IN EXAMPLE 2, FIGURE 1. ALLOW MINIMUM CLEARANCE OF 1 INCH (25mm) FROM DRAPES TO CEILING AND TO TOP OF FLOOR COVERING TO PERMIT AIR CIRCULATION.

CAUTION

TO PREVENT POSSIBLE DAMAGE TO INTERNAL HEATER WIRING, ALL DRILLING OF END CAPS MUST BE DONE WITH END CAPS REMOVED FROM HEATER.

CLEARANCES

FLOORS & CARPETING: HEATERS MAY BE MOUNTED DIRECTLY ON ANY FLOOR SURFACE, INCLUDING CARPETING. WHERE WALL-TO-WALL CARPETS ARE INSTALLED AFTER THE BASEBOARD INSTALLATION, THE CARPETING CAN BE RUN UP TO THE FRONT AND AROUND THE HEATER BODY.

FULL LENGTH DRAPES: FOR THE MOST SATISFACTORY OPERATION OF HEATERS, THE FOLLOWING CLEARANCES MUST BE MAINTAINED:

1. HANG DRAPES SO THAT, IN USE, THEY EXTEND BELOW THE CENTER LINE OF THE HEATER, BUT WITH AT LEAST 1" (25mm) CLEARANCE FROM THE TOP OF THE FINISHED FLOOR COVERING, SUCH AS CARPET, TILE, ETC.
2. HANG DRAPES SO THERE IS AT LEAST 2" (51mm) BETWEEN THE EXTREME FRONT OF THE HEATER AND THE NEAREST FOLD OF DRAPES, IN THE FOLDED BACK POSITION (OPEN DRAPE POSITION).
3. HANG DRAPES SO THERE IS AT LEAST 1" (25mm) BETWEEN THE TOP OF THE DRAPES AND THE CEILING.

SHORT DRAPES: HANG DRAPES SO THERE IS AT LEAST 6" (152mm) CLEARANCE ABOVE THE TOP OF THE HEATER.

FURNITURE: DO NOT PLACE FURNITURE AGAINST HEATER. IT IS RECOMMENDED ALL ITEMS BE KEPT A MINIMUM OF 6" (152mm) FROM HEATER.

INSTALLATION OF SINGLE UNIT

Liquid filled baseboard heaters are designed for installation in new or existing construction. In existing construction, baseboard molding should be removed and the heaters mounted flush against the wall surface. When replacing molding allow 1/16" (1 mm) clearance between molding and ends of heaters.

NOTE: This heater can be wired in either the right or left hand junction box. See Table 1 for wiring compartment volumes.

Table 1. Field Wiring Compartment Volumes

| Description | Est. Net Total Volume | |
|--|-----------------------|-----------------|
| | CM ³ | In ³ |
| Heater Wiring Compartment (One End) | 200 | 13.25 |
| Heater Wiring Compartment with T1 or T2 Thermostat Accessory | 175 | 11.25 |
| Accessory Blank Section (No Controls) | 2400 | 145 |
| AC Accessory Section | 2300 | 140 |
| DR Accessory Section | 2300 | 140 |
| CDS2 Accessory Section | 2300 | 140 |
| LVR Accessory Section | 2100 | 130 |

CAUTION

HEATER MAY BE INSTALLED ABOVE THE FLOOR SUCH AS ATOP A BASEBOARD. HOWEVER, THE POWER SUPPLY MUST ENTER THE HEATER THROUGH THE KNOCKOUT IN THE BACK OF THE HEATER IF INSTALLED ABOVE THE FLOOR.

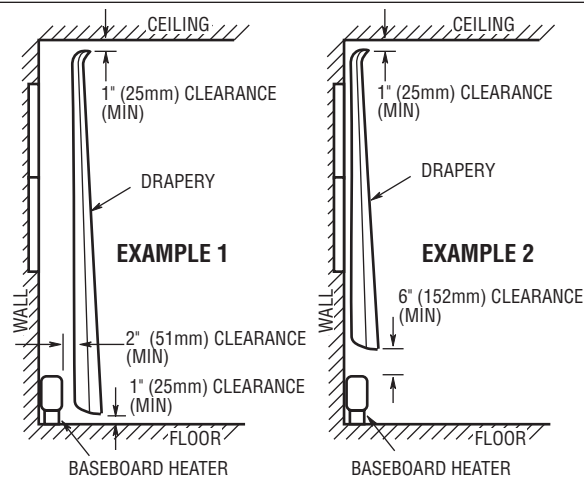


Figure 1. Positioning Drapery Near Heater

NOTE: ALLOW 1/8" (3mm) MINIMUM CLEARANCE AT ENDS OF HEATER FOR EXPANSION AND CONTRACTION

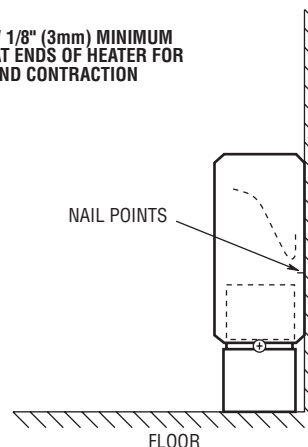


Figure 2. Installation of Heater

1. Position the heater at the desired location on the wall as shown in Figure 2. For maximum heating comfort, position the heater under a window.
2. Mark the location on the wall or floor for the power supply entry into the heater. Remove the heater from the wall and drill appropriate hole in the wall or floor.
3. Remove the left or right junction box end cap by removing the screw in the end of the heater and sliding the cap outward from the heater (Figure 3).
4. Remove the front cover of the heater by removing the screws in the lower corners. Pull the bottom of the cover outward and lift the top of the cover off the junction box. Repeat for the opposite end. Snap the top of the cover off the center bracket and off the intermediate supports. See Figure 4.
5. Remove the appropriate electrical knockout from the back of the heater or accessory if necessary. Supply wiring may also enter the raceway through the floor or wall without using a knockout.

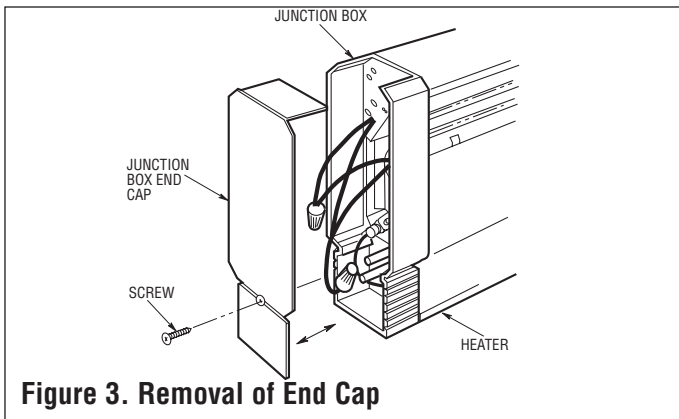


Figure 3. Removal of End Cap

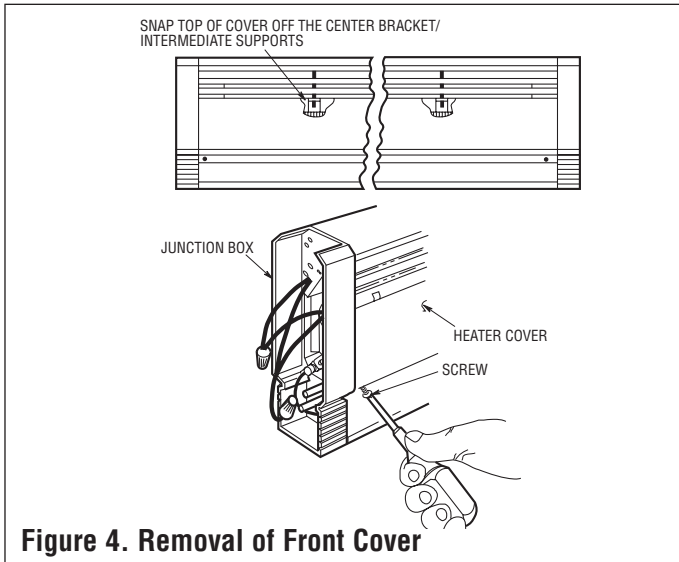


Figure 4. Removal of Front Cover

- If one or more heaters are connected to a single branch circuit, determine the total ampere load (see Nameplate), then determine the power supply wire size and the circuit breaker or fuse size required. (See Table 2)

Table 2.

| Total Amps | Minimum AWG Wire Size (Copper) | Circuit Breaker or Fuse Size |
|--------------|--------------------------------|------------------------------|
| 0 thru 12 | #14 | 15 Amp |
| 12.1 thru 16 | #12 | 20 Amp |
| 16.1 thru 24 | #10 | 30 Amp |

- Install the power supply wire to the heater location and thermostat location as determined by the thermostat option selected. If the power supply enters through the knockout in back of the heater, install a cable connector (not included) on the power supply wire and insert in knockout, leaving 6 (152mm) to 8 inches (203mm) of wire for heater connection.
- If the power supply enters the heater through the hole in bottom portion of the junction box, a cable connector is not required.

CAUTION

POWER SUPPLY CABLE MUST BE ROUTED AS SHOWN IN FIGURE 5 TO PROVIDE THE NECESSARY STRAIN RELIEF SYSTEM.

- Position the heater on the wall and locate wall studs. Drill, punch, or use nail driver to put holes through the enclosure back (above the element) at stud locations.

NOTE: The heater enclosure is provided with nail point marks showing correct locations for mounting holes.

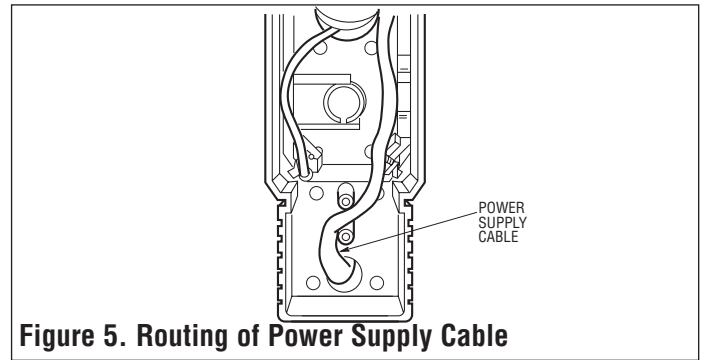


Figure 5. Routing of Power Supply Cable

The following methods of mounting the heaters to common types of wall surfaces are suggested:

- Plaster Walls:** Use toggle or molly screw anchors.
- Wall Studs:** Use #12 round head screws penetrating at least 3/4" (19mm) into stud.
- Masonry Walls:** Use #12 round head screws into lead, plastic, or fiber expansion anchor.

Tighten all screws snugly, then back off 1/2-turn to allow the back panel to expand and contract.

- Connect supply wiring to heater as described in Figure 6, or as shown in the wiring diagrams supplied with the accessory kits intended for use with this heater.
- Secure the desired accessories to baseboard as shown in the accessory instruction sheet, and use the wiring diagram supplied with the accessory.

NOTE: Baseboard heaters must be thermostatically controlled.

WIRING DIAGRAM

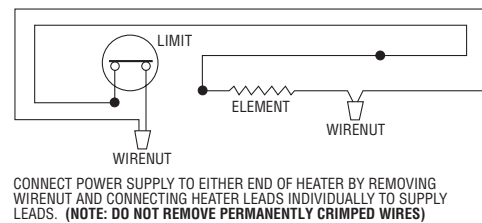


Figure 6. Heater Wiring Connections

- Replace the front cover by fitting the top lip of the cover onto the tabs on each junction box and top edge of the element support bracket(s). Rotate the cover downward, pushing the bottom corners inward. Install two screws (removed in Step 4) through the cover into the junction boxes. See that the bottom of the cover is engaged onto the bottom of each element support bracket. See Figure 7.

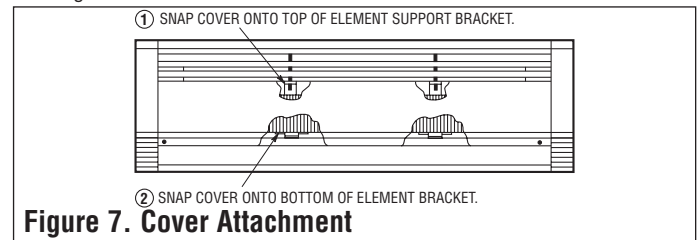


Figure 7. Cover Attachment

- Replace the end cap(s) by installing screw(s) (removed in Step 3).

INSTALLATION OF MULTIPLE UNITS

- With heaters mounted end-to-end, allow 1/32-inch (1mm) of expansion space per heater between each heater.
- For each heater to be installed, refer to and follow "Installation of Single Unit", Steps 1 through 8.
- If the power supply is to enter through the end of the heater series so that the end cap can be installed after the heaters are installed, continue "Installation of Single Unit", Steps 9 through 12.
- If the power supply is to feed heaters at the junction box that is adjacent to

another heater, it is easier for the power supply connections to be made prior to the installation of the heater(s) to the wall. If this is not possible, connections may be made through the opening in the junction boxes when the front cover(s) is removed. See Figure 8.

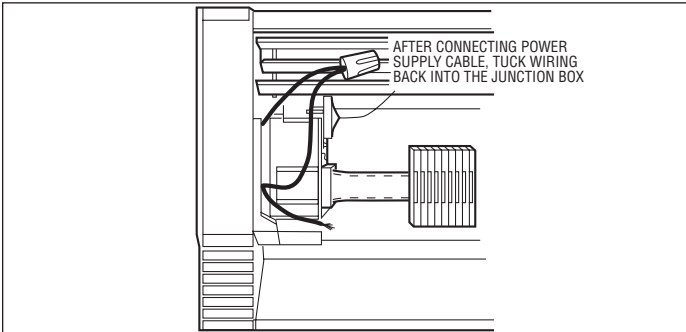


Figure 8. Wiring Through Junction Box Opening

- Connecting power supply cables may be routed from heater to heater by drilling a 1/2-inch (13mm) diameter hole in the end caps for the heaters that fit together. See Figure 9. To prevent possible damage to internal heater wiring, all drilling of end caps must be done with end caps removed from heater.

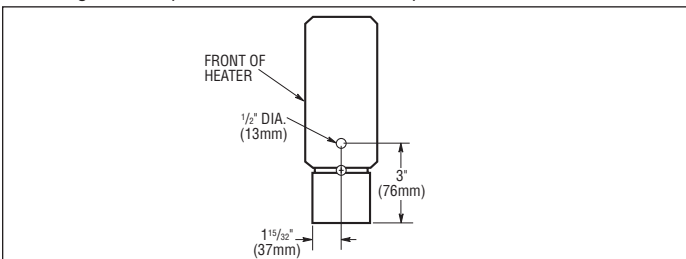


Figure 9. End Cap Drill Pattern

- Wire heaters as shown in Wiring Diagram, Figure 10.
- Replace the front covers and end caps according to "Installation of Single Unit", Steps 12 and 13.

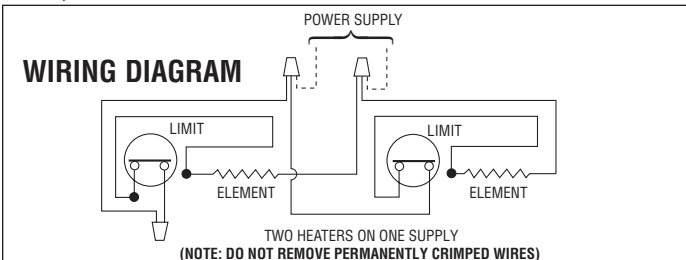


Figure 10. Dual Heater Wiring Connections

OPERATING AND MAINTENANCE INSTRUCTIONS

- An integral or remote wall thermostat is recommended for each room. In very large rooms it is recommended that a low voltage thermostat with double or multiple circuit relays be used to provide the most comfortable results.

DO LOCATE THERMOSTAT

- A minimum of two feet (61cm) from any outside wall.
- Approximately five feet (1,5m) from the floor, preferably on an inside wall location.

DO NOT LOCATE THERMOSTAT

- Near televisions or appliances that emit heat.
- Near drafts from an open doorway.
- Where it would be struck by direct rays of sunlight.

- After the baseboard system has been completely installed, all thermostats should be turned to LOW or NO HEAT setting. Then turn on breakers or install fuses. Wait 3 to 5 minutes and check to see that none of the heaters are operating. If operating, disconnect power and check wiring. If none are operating then turn the thermostats to highest setting and wait 3 to 5 minutes. Check to see that all heaters are operating. Should any not be operating, disconnect power and check wiring.

- Allow entire system to operate steadily for 1/2-hour. For a period of time after the heaters are put into operation, the owner may notice a "new smell" coming from the heaters. This is expected on new installations. Bringing heaters to full operation will eliminate this condition in a short period of time.
- Select the setting for comfort on all thermostats.
- To clean heater:** Because of the convection heating principle which depends upon circulation of air through the finned element, dust particles will periodically be deposited between the fins and should be removed occasionally for maximum efficiency of the heater. A vacuum cleaner with proper attachments can easily be worked along the top and bottom of the finned element to clear it of dust deposits.

NOTE: The painted finish of the heater may be cleaned with a slightly damp cloth if desired. Do not use wax cleaners or polishes as these waxes may vaporize when the heater is in operation and cause discoloration.

LIMITED WARRANTY

All products manufactured by Marley Engineered Products are warranted against defects in workmanship and materials for one year from date of installation, except heating elements which are warranted against defects in workmanship and materials for ten years from date of installation. This warranty does not apply to damage from accident, misuse, or alteration; nor where the connected voltage is more than 5% above the nameplate voltage; nor to equipment improperly installed or wired or maintained in violation of the product's installation instructions. All claims for warranty work must be accompanied by proof of the date of installation.

The customer shall be responsible for all costs incurred in the removal or reinstallation of products, including labor costs, and shipping costs incurred to return products to Marley Engineered Products Service Center. Within the limitations of this warranty, inoperative units should be returned to the nearest Marley authorized service center or the Marley Engineered Products Service Center, and we will repair or replace, at our option, at no charge to you with return freight paid by Marley. It is agreed that such repair or replacement is the exclusive remedy available from Marley Engineered Products.

THE ABOVE WARRANTIES ARE IN LIEU OF ALL OTHER WARRANTIES EXPRESSED OR IMPLIED. AND ALL IMPLIED WARRANTIES OF MERCHANTABILITY AND FITNESS FOR A PARTICULAR PURPOSE WHICH EXCEED THE AFORESAID EXPRESSED WARRANTIES ARE HEREBY DISCLAIMED AND EXCLUDED FROM THIS AGREEMENT. MARLEY ENGINEERED PRODUCTS SHALL NOT BE LIABLE FOR CONSEQUENTIAL DAMAGES ARISING WITH RESPECT TO THE PRODUCT, WHETHER BASED UPON NEGLIGENCE, TORT, STRICT LIABILITY, OR CONTRACT.

Some states do not allow the exclusion or limitation of incidental or consequential damages, so the above exclusion or limitation may not apply to you. This warranty gives you specific legal rights, and you may also have other rights which vary from state to state.

For the address of your nearest authorized service center, contact Marley Engineered Products, in Bennettsville, SC, at 1-800-642-4328. Merchandise returned to the factory must be accompanied by a return authorization and service identification tag, both available from Marley Engineered Products. When requesting return authorization, include all catalog numbers shown on the products.



Marley
Engineered Products

An **SPX** Company
470 Beauty Spot Rd. East
Bennettsville, SC 29512 USA

HOW TO OBTAIN WARRANTY SERVICE AND WARRANTY PARTS PLUS GENERAL INFORMATION

- Warranty Service or Parts **1-800-642-4328**
- Purchase Replacement Parts **1-800-654-3545**
- General Product Information **www.marlymep.com**

Note: When obtaining service always have the following:

- Model number of the product
- Date of manufacture
- Part number or description

ECR 36974

5200-2083-005

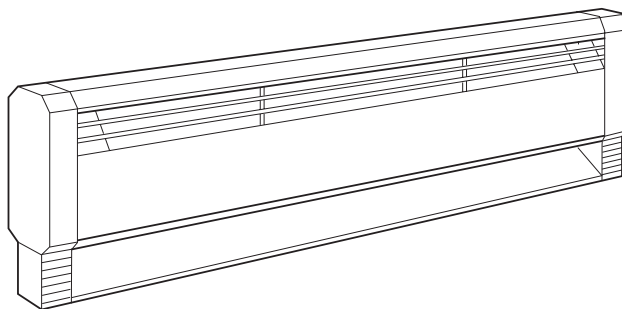
11/06



Marley

Engineered Products

An **SPX** Company



Calentadores de Piso Eléctricos/Hidrónicos (Modelo D)



EXPEDIENTE NO. E37116

Instrucciones para la Instalación y el Mantenimiento

Estimado Señor Propietario:

¡Felicitaciones! Le agradecemos que haya decidido comprar este calentador nuevo fabricado Marley Engineered Products. Usted ha invertido de la mejor manera al seleccionar el producto de mayor calidad que presenta la industria de calefacción. Sírvase leer cuidadosamente este manual y seguir las instrucciones para instalación y mantenimiento que se describen en sus páginas. Va a disfrutar muchos años de satisfacción al usar este sistema de calefacción eficiente que fabrica Marley Engineered Products...el líder de la industria en diseño, fabricación, calidad y servicio.

*...Los empleados de
Marley Engineered Products.*



Advertencia



Lea Cuidadosamente - Esta hoja de instrucciones contiene información vital para hacer la instalación, usar y lograr una operación eficiente con el calentador. Lea el manual cuidadosamente antes de llevar a cabo la instalación, operación o limpieza del calentador. Si no se siguen las instrucciones correctamente, podrían generarse incendios, sacudidas eléctricas, muertes, lesiones personales graves o daños a la propiedad. Guarde estas instrucciones y estúdielas frecuentemente para continuar con una operación segura y poder instruir a los usuarios futuros.

ADVERTENCIA: PELIGRO DE INCENDIOS O SACUDIDAS ELECTRICAS

1. Mantenga todos los cordones eléctricos, los artículos rellenos de espuma, las cortinas, la ropa de cama y otros artículos de la casa alejados, de manera que no queden en contacto con el calentador. Se recomienda que todos los artículos queden a una distancia mínima de seis (6") pulgadas (152mm) del calentador.
2. No instale el calentador de piso debajo de las tomas eléctricas (enchufes).
3. No instale el calentador de piso contra superficies de

cartón, lámina de fibra de poca densidad o papel vinílico para recubrir paredes. No instale cortinas ni coberturas de vinilo sobre el calentador.

4. No instale el calentador en un hueco de pared.
5. La instalación se deberá hacer cumpliendo con todos los códigos eléctricos locales y nacionales. También se deberán respetar los requerimientos establecidos por las compañías de servicios públicos.
6. No saque ni eluda la pieza térmica desmontable.
7. Para reducir el riesgo de producir incendios, no guarde ni use gasolina u otros vapores y líquidos incendiarios cerca del calentador.
8. Las sacudidas eléctricas pueden lesionar o matar. Desconecte toda la potencia eléctrica presente, usando el panel principal para hacerlo, antes de intentar instalar el calentador o hacerle el servicio.
9. El voltaje del suministro eléctrico deberá ser igual al del calentador. Verifique el voltaje en la placa del nombre y en el suministro antes de aplicar la potencia eléctrica.
10. El cableado del suministro deberá adaptarse bien a 90°C de temperatura.

GUARDE ESTAS INSTRUCCIONES.

IMPORTANTE

PRECAUCION

CIERTAS TELAS SE DESCOLORAN CON EL TIEMPO AL QUEDAR EXPUESTAS INDIRECTAMENTE A LOS RAYOS DEL SOL Y LAS TEMPERATURAS AMBIENTES NORMALES - LA MAYORIA DE LAS TELAS ORGANICAS Y SINTETICAS SE DESCOLORAN MAS RAPIDO CUANDO QUEDAN EXPUESTAS DIRECTAMENTE A LOS RAYOS DEL SOL Y LAS CORRIENTES CALIENTES. CUELQUE LAS CORTINAS PROPORCIONANDO UN MINIMO DE 2 PULGADAS (51mm) DE ESPACIO DE AIRE ENTRE EL FRENTE DEL CALENTADOR Y LA CORTINA MAS CERCANA. PLIEGUELAS COMO LO MUESTRA EL EJEMPLO 1 DE LA FIGURA 1, O DEJANDO 6 PULGADAS (152mm) DE ESPACIO DE AIRE ENTRE LA PARTE SUPERIOR DEL CALENTADOR Y LA BASE DE LA CORTINA, COMO ESTA DEMOSTRADO EN EL EJEMPLO 2 DE LA FIGURA 1. PERMITA QUE EXISTA UNA SEPARACION MINIMA DE 1 PULGADA (25mm) DESDE LAS CORTINAS AL TECHO Y HASTA LA CUBIERTA DEL PISO, PARA PERMITIR QUE HAYA CIRCULACION DE AIRE.

PRECAUCION

PARA PREVENIR QUE EL CABLEADO INTERNO SE DAÑE, TODOS LOS AGUJEROS DE LAS TAPAS DE LOS EXTREMOS SE DEBERAN REALIZAR SACANDOLAS DEL CALENTADOR.

ESPACIOS DE SEPARACION

Pisos y Alfombras: Los calentadores se pueden montar directamente sobre cualquier superficie que cubra el piso, incluyendo a las alfombras. Después de haber hecho la instalación en el zócalo en sitios donde se hayan colocado alfombras que cubren el piso de una pared a la otra, éstas se podrán colocar de manera que lleguen al frente del calentador y rodeen su cuerpo.

Cortinas de longitud total: Para lograr la operación más satisfactoria de los calentadores, se deberán mantener los siguientes espacios de separación:

1. Cuelgue las cortinas de manera que, cuando se las use, queden extendidas debajo de la línea central del calentador. Deberán quedar con un espacio de separación de por lo menos 1" (25mm), midiendo desde la parte superior de la cubierta del piso cuando está terminada con alfombras, baldosas, etc.
2. Cuelgue las cortinas de manera que queden por lo menos 2" (51mm) entre el extremo frontal del calentador y el pliegue más cercano de las cortinas, cuando están en la posición plegada hacia atrás (posición de cortinas abiertas).
3. Cuelgue las cortinas de manera que quede por lo menos 1" (25mm) entre la parte superior de ellas y el techo.

Cortinas Cortas: Cuelgue las cortinas de manera que queden por lo menos 6" (152mm) de separación arriba de la parte superior del calentador.

Muebles: No coloque muebles contra el calentador. Se recomienda que todos los artículos se mantengan a un mínimo de 6" (152mm) desde el calentador.

INSTALACION DE UNA SOLA UNIDAD

Los calentadores de piso que funcionan llenos de líquido fueron diseñados para instalarse en construcciones nuevas o existentes. En las construcciones ya existentes, las molduras del zócalo se tendrán que quitar y los calentadores se deberán montar al ras contra la superficie de la pared. Cuando se reemplacen las molduras, se deberá permitir que quede una separación de 1/16" (1mm) entre ellas y los extremos de los calentadores.

Nota: Este calentador se puede conectar a una caja de empalme usando el sistema de mano derecha o mano izquierda. Estudie la Tabla 1 para conocer los volúmenes del compartimiento para el cableado.

Tabla 1. Volúmenes del Compartimiento el Cableado en el Campo.

| Descripción | Volumen Neto Total Estimado | |
|---|-----------------------------|------------------|
| | Cm ³ | Pig ³ |
| Compartimiento del Cableado del Calentador (Un Extremo). | 200 | 13.25 |
| Compartimiento del Cableado del Calentador con Accesorio de Termostato T1 o T2. | 175 | 11.25 |
| Sección Vacía de Accesorios (Sin Controles). | 2400 | 145 |
| Sección de Accesorios de CA. | 2300 | 140 |
| Sección de Accesorios de CC. | 2300 | 140 |
| Sección de Accesorios CDS2. | 2300 | 140 |
| Sección de Accesorios LVR. | 2100 | 130 |

PRECAUCION

EL CALENTADOR SE PODRA INSTALAR A CIERTA ALTURA DEL PISO, COLOCAN-DOLO ENCIMA DE UN ZOCALO. SIN EMBARGO, AL INSTALARLO DE ESA MANERA, EL CABLE DEL SUMINISTRO DE POTENCIA ELECTRICA DEBERA ESTAR METIDO ADENTRO DEL CALENTADOR, HACIENDOLO PASAR A TRAVES DE LA PIEZA DESMONTABLE QUE SE ENCUENTRA EN LA PARTE TRASERA.

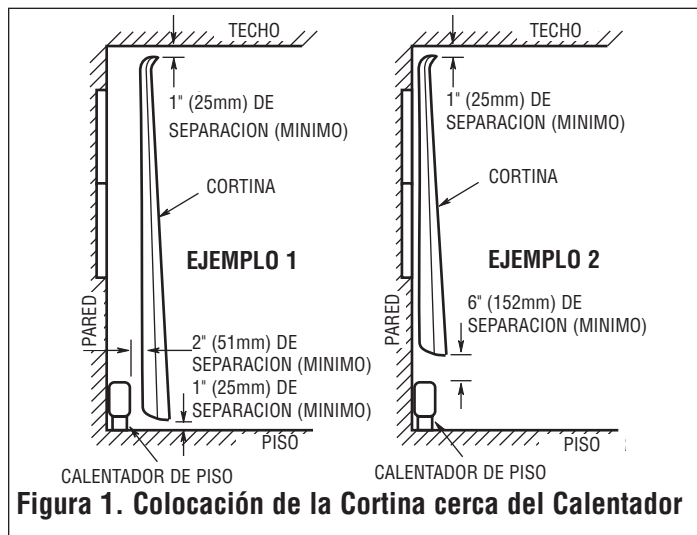


Figura 1. Colocación de la Cortina cerca del Calentador

NOTA: PERMITA QUE EXISTA 1/8" (3MM) DE SEPARACION COMO MINIMO EN LOS EXTREMOS DEL CALENTADOR, PARA QUE SE EXPANDA Y SE CONTRAIGA SIN INCONVENIENTES.

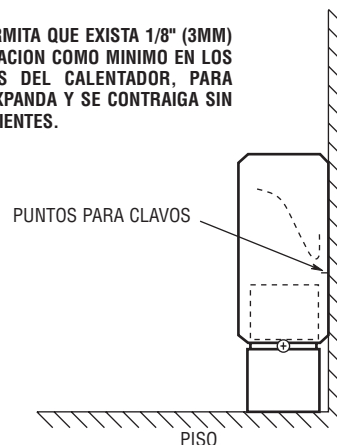


Figura 2. Instalación del Calentador

1. Coloque el calentador en el sitio deseado de la pared, como lo muestra la Figura 2. Para lograr una mayor satisfacción con la calefacción, coloque el calentador debajo de una ventana.
2. Marque el sitio de la pared o el piso donde el suministro de potencia se va a meter dentro del calentador. Saque el calentador de la pared y haga los agujeros apropiados en la pared o el piso.
3. Saque la caja de empalme, izquierda o derecha, que está en el extremo, quitando el tornillo de la punta y hágala deslizarse hacia afuera del calentador (Figura 3).
4. Saque la cubierta frontal del calentador, quitando los tornillos de las esquinas inferiores. Tire de la base de la cubierta hacia afuera y levante la parte superior de ella hasta sacarla de la caja de empalme. Repita esa operación en el extremo opuesto. Saque la parte superior de la cubierta que está colocada a presión, liberándola del soporte central y de los soportes intermedios. Estudie la Figura 4.
5. Quite la pieza desmontable, apropiada para hacer la instalación eléctrica, que se encuentra en la parte trasera del calentador, o el accesorio si es necesario. El cableado del suministro de potencia eléctrica también deberá entrar en el conducto, a través del piso o la pared, sin usar una pieza desmontable.

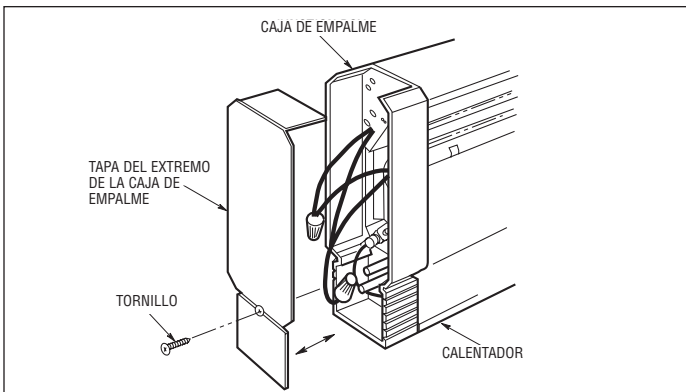


Figura 3. Remoción de la Tapa del Extremo

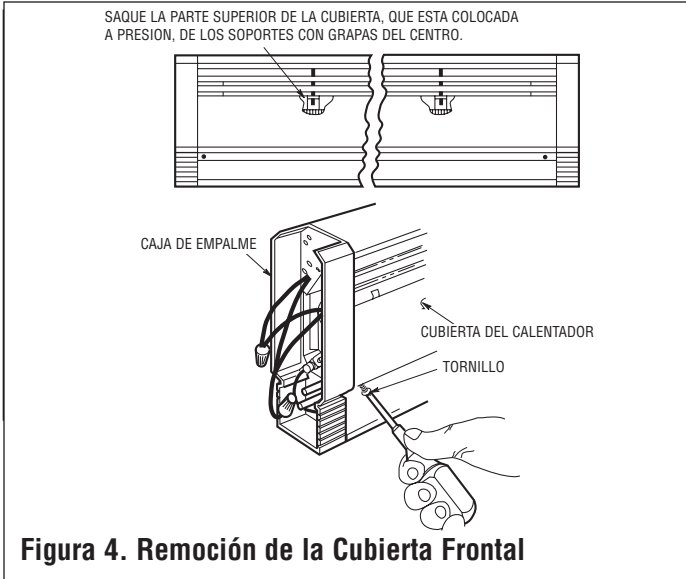


Figura 4. Remoción de la Cubierta Frontal

6. Si va a conectar uno o más calentadores en un circuito en particular, calcule la carga total en amperios (estudie la Placa con el Nombre), después determine el tamaño del cable para el suministro de potencia eléctrica y los valores pertinentes a los interruptores de circuito o los fusibles que se requieren. (Estudie la Tabla 2)

Tabla 2

| Amperaje Total | Tamaño Mínimo del Cable AWG (Cobre) | Interruptor de Circuito o Tamaño del Fusible. |
|----------------|-------------------------------------|---|
| De 0 a 12 | No. 14 | 15 Amp. |
| De 12,1 a 16 | No. 12 | 20 Amp. |
| De 16,1 a 24 | No. 10 | 30 Amp. |

7. Instale el cable del suministro de potencia de manera que quede conectado a los sitios del calentador y el termostato, de acuerdo con lo que haya determinado en la selección de éste último. Instálele un conector al cable del suministro de potencia eléctrica (no va incluido), si éste último entra a través del agujero de la pieza desmontada de la parte de atrás del calentador. Después insértelo en el agujero de la pieza desmontada, dejando de 6 (152mm) a 8 (203mm) pulgadas de cable para hacer la conexión del calentador.

8. No va a necesitar un conector para el cable del suministro de potencia eléctrica si va a meterlo dentro del calentador, pasándolo a través del agujero de la parte inferior de la caja de empalme.

PRECAUCION

EL CABLE DEL SUMINISTRO DE POTENCIA ELECTRICA SE DEBERA COLOCAR COMO LO MUESTRA LA FIGURA 5, PARA PROVEER UN SISTEMA DE ALIVIO DE TENSION NECESARIO.

9. Coloque el calentador contra la pared y encuentre la posición de los montantes de ésta. Para hacer los agujeros a través de la parte trasera del material que está adelante de los montantes use un taladro, golpes de martillo o una máquina para clavar.

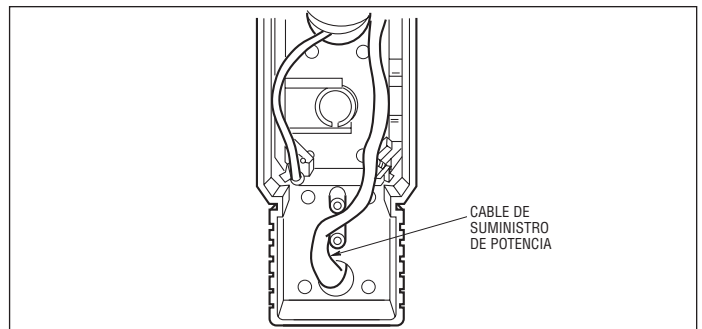


Figura 5. Rutina del cable de suministro de potencia

Nota: La cubierta del calentador se provee con marcas que muestran los lugares correctos para hacer los agujeros y después colocar los tornillos.

Los métodos para montar los calentadores a las superficies más comunes de las paredes se sugieren a continuación:

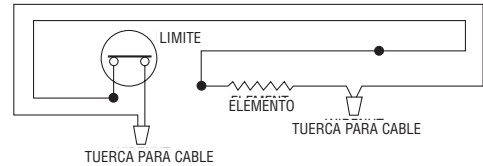
- a. **Paredes de Yeso:** Use piezas de anclaje para tornillos articulados o finos.
- b. **Montantes de Pared:** Use tornillos de cabeza redonda No. 12 que penetren en el montante por lo menos 3/4" (19mm).
- c. **Paredes de Mampostería:** Use tornillos de cabeza redonda No. 12 para asegurar piezas de anclaje de expansión fabricadas de plomo, plástico o fibra.

Apreté todos los tornillos hasta que queden ajustados, después aflójelos una 1/2 vuelta, para permitir que el panel trasero se expanda y se contraiga sin inconvenientes.

- 10. Conecte el cableado del suministro eléctrico al calentador, como se lo describe en la Figura 6, o como se lo muestra en los diagramas de conexiones de cables. Esos diagramas se entregan con los equipos de accesorios que se usan con el calentador.
- 11. Asegure los accesorios deseados al zócalo, como lo describe la hoja de instrucciones para accesorios, y utilice el diagrama de conexiones de cables que se entrega con ellos.

NOTA: Los calentadores de piso deberán funcionar controlados en forma termostática.

DIAGRAMA PARA CONEXION DE CABLES



CONECTE EL CABLE DEL SUMINISTRO ELECTRICO DE MANERA QUE ENTRE EN EL CALENTADOR POR EL EXTREMO. SAQUE LA TUERCA PARA CABLE Y CONECTE LOS CONDUCTORES DEL CALENTADOR INDIVIDUALMENTE A LOS DEL SUMINISTRO ELECTRICO. (NOTA: NO SEPARE LAS CONEXIONES PRENSADAS PERMANENTEMENTE DEL ALAMBRE)

Figura 6. Conexiones de los Cables del Calentador

12. Coloque la cubierta frontal nuevamente, ajustando el labio superior de ella encima de las aletas que están en cada caja de empalme y en el borde superior de la abrazadera(s) de soporte del elemento. Haga girar la cubierta hacia abajo, empujando las esquinas inferiores hacia adentro. Instale los dos tornillos (que sacó en el Paso 4) a través de la cubierta, hasta que queden metidos dentro de las cajas de empalme. Verifique que la parte inferior de la cubierta esté trabada encima de la base de cada abrazadera de soporte del elemento. Estudie la Figura 7.

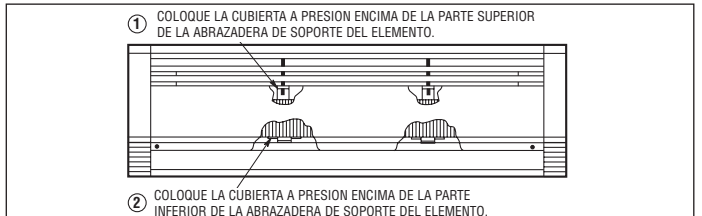


Figura 7. Forma de Asegurar la Cubierta

13. Coloque nuevamente la tapa(s) de los extremos, instalando los tornillos (se sacaron en el Paso 3).

INSTALACIÓN DE VARIAS UNIDADES

- 1. Coloque los calentadores con los extremos tocándose y permita que exista 1/32 de pulgada (1mm) de separación entre ellos para que se puedan expandir.
- 2. Cuando instale cada uno de los calentadores, use como referencia y siga las instrucciones de la sección "Instalación de una Sola Unidad", desde el Paso 1 al 8 inclusive.
- 3. Si el cable del suministro eléctrico se va a meter por el extremo de la serie de calentadores, organice la instalación de tal manera que se pueda colocar la tapa después que se hayan instalado los calentadores. Continúe usando la sección "Instalación de una Sola Unidad", del Paso 9 al 12 inclusive.

- Si el suministro eléctrico va a alimentar a los calentadores comenzando desde la caja de empalme que está adyacente a otro calentador, es más fácil hacer las conexiones de éste primero antes de realizar la instalación del calentador(es) a la pared. Si ello no es posible, las conexiones se pueden hacer a través de las aberturas que existen en las cajas de empalme cuando se quita la cubierta(s) frontal. Estudie la Figura 8.

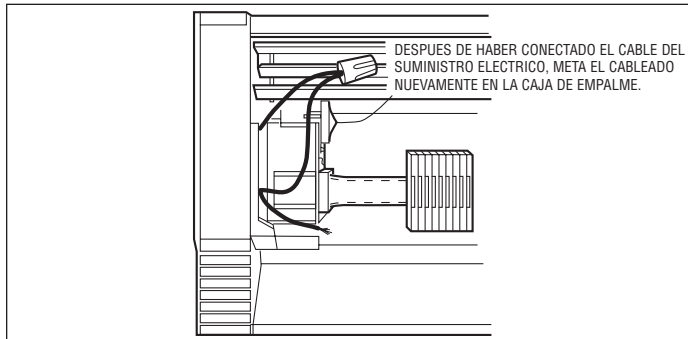


Figura 8. Cableado pasando a través de la Abertura de la Caja de Empalme

- Los cables que conectan el suministro eléctrico se pueden tender de un calentador al otro. Para realizarlo, se debe taladrar un agujero de 1/2 pulgada de diámetro (13mm) en las tapas de los extremos de los calentadores que se van a colocar juntos. Estudie la Figura 9. Para evitar la posibilidad de que se dañe el cableado interno, todos los agujeros de las tapas de los extremos se deberán hacer cuando éstas están afuera del calentador.

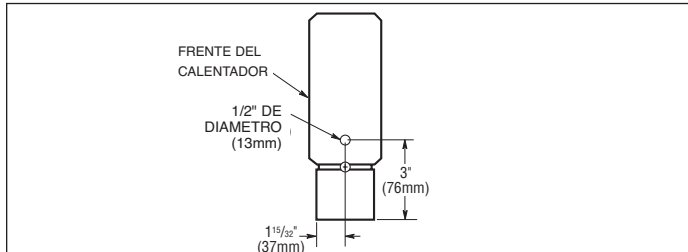


Figura 9. Forma de Taladrar la Tapa del Extremo.

- Conecte los cables de los calentadores como lo muestra el Diagrama del Cableado, Figura 10.

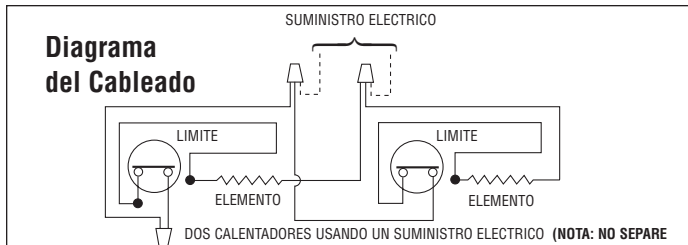


Figura 10. Conexiones de los Cables para Dos Calentadores

- Coloque nuevamente las cubiertas frontales y las tapas de los extremos, de acuerdo con las instrucciones que se presentaron en la sección "Instalación de una Sola Unidad", Pasos 12 y 13.

Instrucciones para la Operación y el Mantenimiento

- Se recomienda instalar un termostato remoto o integral en cada cuarto. Para los cuartos grandes se recomienda un termostato de poco voltaje con relés para circuitos dobles o múltiples, para así lograr la mayor comodidad.

COLOQUE EL TERMOSTATO

- A un mínimo de dos pies (61cm) de las paredes externas.
- A cinco pies (1,5m) del piso aproximadamente; preferiblemente en, el lado interno de la pared.

NO COLOQUE EL TERMOSTATO

- Cerca de la televisión o de artefactos que emitan calor.
- Cerca de corrientes de aire que entren por una puerta.
- En sitios donde pueda estar expuesto a los rayos del sol en forma directa.

- Una vez que el sistema para zócalo se haya instalado completamente, todos los termostatos se deberán colocar en la posición de funcionamiento de Poco (Low) o Nada de Calor (No Heat). Después se deberán poner los interruptores del circuito en la forma activa de protección o instalar los fusibles. Espere de 3 a 5 minutos y verifique que ninguno de los calentadores esté funcionando. Si alguno está funcionando, desconecte la potencia eléctrica e inspeccione el cableado. Si ninguno de ellos está

funcionando, ponga los termostatos en la posición más alta y espere de 3 a 5 minutos. Verifique que todos los calentadores estén funcionando. Si alguno de ellos no estuviera funcionando, desconecte la potencia eléctrica e inspeccione el cableado.

- Permita que el sistema entero funcione constantemente por 1/2 hora. Por cierto período de tiempo después de que los calentadores se hayan puesto a funcionar, el dueño va a darse cuenta que existe un "olor nuevo" que proviene de ellos. Eso se espera como algo común en las nuevas instalaciones. Cuando se haga funcionar a los calentadores a toda su capacidad productiva, esa condición va a quedar eliminada en poco tiempo.
- Seleccione la marcha apropiada para mayor comodidad en todos los termostatos.
- Para limpiar el calentador:** Debido al principio de calefacción por convección, el cual depende de la circulación de aire a través del elemento con aletas, las partículas de tierra van a quedar depositadas entre las aletas en forma periódica. Esas partículas se deberán quitar de tanto en tanto para lograr la máxima eficiencia del calentador. Se podrá usar una aspiradora con las extensiones apropiadas para limpiar las partes superior e inferior del elemento con aletas y dejarlo libre de depósitos de tierra.

NOTA: Si se desea hacerlo, la superficie terminada y pintada del calentador se podrá limpiar con un trapo que esté ligeramente húmedo. No utilice materiales para pulir o limpiar que contengan ceras, porque éstas podrían generar vapores cuando el calentador esté funcionando y descolorar ciertos materiales.

GARANTIA LIMITADA

Todos los productos fabricados por Marley Engineered Products están garantizados contra defectos de mano de obra y materiales durante un año a partir de la fecha de instalación, excepto los elementos calefactores que están garantizados contra defectos de mano de obra y materiales durante cinco años a partir de la fecha de instalación. Esta garantía no se aplica por daños ocurridos por accidente, mal uso, o alteración, ni cuando el voltaje conectado sea 5% mayor que el indicado en la placa de nombre; ni al equipo instalado o cableado indebidamente, o mantenido en violación de esta hoja de instrucciones. Todos los reclamos de trabajo de garantía deben estar acompañados por prueba de la fecha de instalación.

El cliente será responsable por todos los costos incurridos en la extracción o reinstalación de los productos, incluyendo costos de mano de obra, y costos de transporte incurridos al retornar los productos a Marley Engineered Products Service Center y nosotros las repararemos o reemplazaremos, a nuestra opción, sin cargo para usted, con transporte de regreso pagado por Marley. Se acuerda mutuamente que tal reparación o reemplazo es el remedio exclusivo disponible de Marley Engineered Products.

LAS GARANTIAS INDICADAS ARRIBA SON A CAMBIO DE CUALQUIER OTRA GARANTIA EXPRESA O IMPLICITA Y SE DESCONOCEN Y EXCLUYEN DE ESTE ACUERDO TODAS LAS GARANTIAS IMPLICITAS DE COMERCIALIZACION Y APTITUD PARA UN FIN PARTICULAR QUE EXCEDAN LAS GARANTIAS PREVIAMENTE EXPRESADAS. MARLEY ELECTRICAL NO SERA RESPONSABLE POR DAÑOS CONSECUENTES ORIGINADOS POR EL PRODUCTO, YA SEAN QUE ESTEN BASADOS EN NEGLIGENCIA, LITIGACION, RESPONSABILIDAD ESTRUCTIVA O CONTRATO.

Algunos estados no permiten la exclusión o limitación de los daños incidentales o consecuentes, de manera que la exclusión o limitación indicada arriba puede no aplicarse a usted. Esta garantía le otorga derechos legales específicos, y usted puede tener también otros derechos que varían de estado a estado.

Llame a Marley Engineered Products en Bennettsville, SC al 1-800-642-4328 para la dirección de su centro autorizado de servicio más cercano. La mercancía retornada a la fábrica debe estar acompañada por una autorización de retorno y una etiqueta de identificación de servicio, ambas disponibles de la ubicación indicada. Incluya todos los números de catálogo mostrados en el producto, al requerir autorización de retorno.



Marley
Engineered Products

An **SPX** Company

470 Beauty Spot Rd. East
Bennettsville, SC 29512 USA

COMO OBTENER SERVICIO EN GARANTIA, PIEZAS DE REPUESTO E INFORMACION GENERAL

- Servicio o repuestos, en garantía: **1-800-642-4328**
- Compra de piezas de repuesto: **1-800-654-3545**
- Información general sobre productos: **www.marleymep.com**

Nota: Cuando solicite servicio, siempre dé la información que sigue:

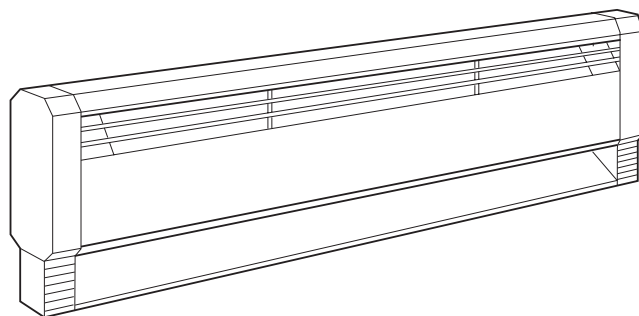
- Número de modelo del producto
- Fecha de fabricación
- Número de parte o descripción

ECR 36974
11/06

5200-2083-005



Marley
Engineered Products
An **SPX** Company



Homologué U.L. et C-UL
Dossier E37116

Radiateurs Électriques à Caloporteur Liquide (Modele D)

Notice d'installation et d'entretien

Cher utilisateur,

Félicitations ! Nous vous remercions d'avoir fait l'acquisition de ce nouveau radiateur fabriqué par Marley Engineered Products. Vous avez fait un bon investissement en choisissant un appareil de qualité imbattable. Veuillez lire attentivement et suivre scrupuleusement les consignes de ce manuel concernant l'installation et l'entretien. Nous sommes sûrs que vous bénéficierez de nombreuses années de confort grâce à cet appareil de chauffage efficace de Marley Engineered Products... le numéro 1 du secteur du chauffage en matière de conception, fabrication, qualité et service.

*... Les employés de
Marley Engineered Products*



AVERTISSEMENT



Ce feuillet d'instructions contient des renseignements essentiels à l'installation et à l'exploitation correctes ainsi qu'au fonctionnement efficace du radiateur. Lisez attentivement la notice avant d'installer, de faire fonctionner ou de nettoyer le radiateur. Si vous ne respectez pas les instructions, il y a risque d'incendie, de choc électrique, de blessures mortelles ou de dommages. Conservez ces instructions et consultez-les régulièrement pour assurer un fonctionnement sécuritaire et renseigner les futurs utilisateurs.

AVERTISSEMENT. RISQUE D'INCENDIE ET DE CHOC ÉLECTRIQUE.

1. Évitez tout contact entre le radiateur et les cordons électriques, les objets rembourrés avec de la mousse, les rideaux, la literie et les meubles. Le dégagement minimum recommandé est de six (6) po (152mm).
2. N'installez pas le radiateur en-dessous d'une prise de courant.
3. N'installez pas le radiateur contre une surface en carton ou un panneau de fibres de

basse densité.

4. N'encastrez pas le radiateur dans un mur.
5. L'installation doit être conforme aux exigences pertinentes des codes locaux, du Code de l'électricité et des normes du fournisseur d'électricité.
6. N'enlevez pas et ne neutralisez pas le coupe-circuit thermique.
7. Pour réduire le risque d'incendie, n'entreposez pas d'essence ni d'autre fluide inflammable à proximité du radiateur.
8. Un choc électrique peut entraîner des blessures mortelles. Coupez toute source d'alimentation du radiateur au panneau de dérivation avant d'entreprendre l'installation ou la maintenance du radiateur.
9. La tension d'alimentation doit être la même que la tension nominale du radiateur. Vérifiez la plaque signalétique du radiateur et la tension du réseau avant de mettre sous tension.
10. Utilisez des câbles d'alimentation 90°C.

CONSERVER CETTE NOTICE

AVERTISSEMENT

ATTENTION

CERTAINS TISSUS (SYNTHÉTIQUES OU, PARTICULIÈREMENT, NATURELS) SE DÉCOLORENT À LA TEMPÉRATURE DE LA PIÈCE LORSQU'ILS REÇOIVENT UN ÉCLAIRAGE NATUREL INDIRECT. LA DÉCOLORATION EST ACCÉLÉRÉE SI LE TISSU EST AU SOLEIL ET DANS UN COURANT D'AIR CHAUD. SUSPENDEZ LE RIDEAU EN ASSURANT UN ESPACE D'AIR D'AU MOINS 2 PO (51mm) ENTRE L'AVANT DU RADIATEUR ET LES PLIS INTÉRIEURS DU RIDEAU (FIGURE 1, EXEMPLE 1), OU DE 6 PO (152mm) ENTRE LE DESSUS DU RADIATEUR ET LE BORD INFÉRIEUR DU RIDEAU (FIGURE 1, EXEMPLE 2). LAISSEZ UN DÉGAGEMENT DE 1 PO (25,4mm) AU-DESSOUS DU PLAFOND ET AU-DESSUS DU REVÊTEMENT DE PLANCHER POUR PERMETTRE À L'AIR DE CIRCULER.

ATTENTION

POUR NE PAS RISQUER D'ENDOMMAGER LES CÂBLES INTERNES DU RADIATEUR, ENLEVEZ LES COUVERCLES LATÉRAUX DES RADIATEURS AVANT DE LES PERCER.

DÉGAGEMENTS

PLANCHER ET TAPIS : VOUS POUVEZ POSER LE RADIATEUR DIRECTEMENT SUR TOUT REVÊTEMENT DE SOL Y COMPRIS LA MOQUETTE. SI VOUS POSEZ UNE MOQUETTE APRÈS QUE LE RADIATEUR A ÉTÉ INSTALLÉ, CELLE-CI PEUT AFFLEURER LA BASE DU RADIATEUR.

RIDEAU PLEINE HAUTEUR : POUR UN FONCTIONNEMENT OPTIMAL DU RADIATEUR, SUSPENDEZ LE RIDEAU EN RESPECTANT LES DÉGAGEMENTS CI-APRÈS :

1. LE BORD INFÉRIEUR DU RIDEAU FERMÉ DOIT SE TROUVER AU-DESSOUS DE L'AXE MÉDIAN DU RADIATEUR MAIS À AU MOINS 1 PO (25,4mm) DE LA SURFACE DU REVÊTEMENT DE PLANCHER (TAPIS, CARREAUX, ETC.).
2. LORSQUE LES PLIS SONT RESSERRÉS (RIDEAU OUVERT), LES PLIS INTÉRIEURS DU RIDEAU DOIVENT SE TROUVER À AU MOINS 2 PO (51mm) DE LA FACE AVANT DU RADIATEUR.
3. LE BORD SUPÉRIEUR DU RIDEAU DOIT SE TROUVER À AU MOINS 1 PO (25,4mm) DU PLAFOND.

RIDEAU COURT : LE BORD INFÉRIEUR DU RIDEAU DOIT SE TROUVER À AU MOINS 6 PO (152mm) DU HAUT DU RADIATEUR.

MEUBLES : NE PLACEZ PAS DE MEUBLE CONTRE LE RADIATEUR. LE DÉGAGEMENT MINIMAL RECOMMANDÉ ENTRE LE RADIATEUR ET TOUT OBJET EST DE 6 PO (152mm).

INSTALLATION D'UN RADIATEUR SIMPLE

Le radiateur à caloporteur liquide peut former une nouvelle installation ou être ajouté à une installation existante. Dans le cas d'une installation existante, enlevez les plinthes et posez le radiateur contre le mur. En remplaçant les plinthes, laissez un dégagement de 1/16 po (1mm) entre l'extrémité de ces dernières et le radiateur.

NOTE : Le branchement du radiateur peut être effectué dans la boîte de jonction droite ou gauche.

Tableau 1. Volume du compartiment de câblage

| Description | Volume total net calculé | |
|---|--------------------------|-----------------|
| | cm ³ | po ³ |
| Compartiment de câblage du radiateur (une extrémité) | 200 | 13,25 |
| Compartiment de câblage du radiateur avec thermostat T1 ou T2 | 175 | 11,25 |
| Section sans dispositif (sans commandé) | 2400 | 145 |
| Section du dispositif CA | 2300 | 140 |
| Section du dispositif DR | 2300 | 140 |
| Section du dispositif CDS2 | 2300 | 140 |
| Section du dispositif LVR | 2100 | 130 |

ATTENTION

LE RADIATEUR PEUT ÊTRE POSÉ AU-DESSUS DU PLANCHER, PAR EXEMPLE AU-DESSUS D'UNE PLINTHE. LE CAS ÉCHÉANT, TOUTEFOIS, FAITES PASSER LES CÂBLES D'ALIMENTATION PAR UN DISQUE DÉFONÇABLE D'ENTRÉE ÉLECTRIQUE À L'ARRIÈRE DU RADIATEUR.

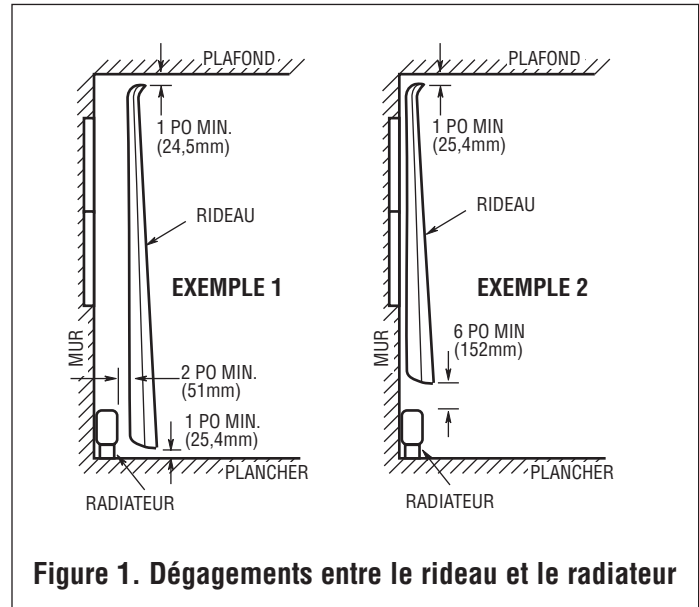


Figure 1. Dégagements entre le rideau et le radiateur

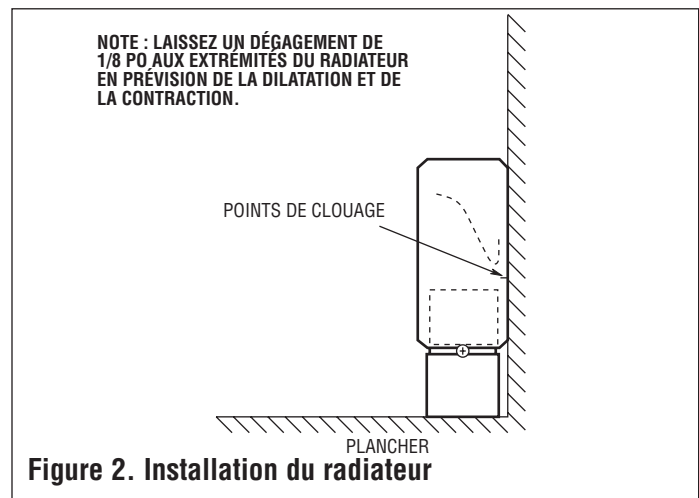


Figure 2. Installation du radiateur

1. Placez le radiateur à l'emplacement choisi au pied du mur (voir la figure 2). Pour un confort optimal, placez le radiateur sous une fenêtre.
2. Marquez sur le mur ou sur le plancher l'emplacement de l'entrée électrique. Éloignez le radiateur du mur et percez le mur ou le plancher de la façon prévue.
3. Déposez le couvercle latéral de la boîte de jonction gauche ou droite en enlevant la vis à l'extrémité du radiateur et en glissant le couvercle latéralement (voir la figure 3).
4. Déposez le couvercle frontal du radiateur en enlevant les vis aux coins inférieurs. Tirez le bord inférieur du couvercle vers l'extérieur et soulevez-le pour le dégager de la boîte de jonction. Répétez cette opération à l'autre extrémité. Décrochez le rebord supérieur du couvercle des supports central et intermédiaires (voir la figure 4).
5. Défoncez au besoin le disque défonçable d'entrée électrique approprié à l'arrière du radiateur ou de l'accessoire. On peut aussi passer les câbles d'alimentation dans la canalisation électrique par le mur ou le plancher sans défoncer le disque.

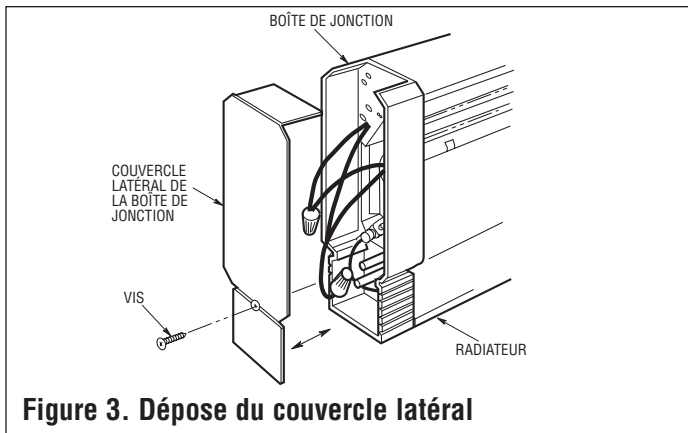


Figure 3. Dépose du couvercle latéral

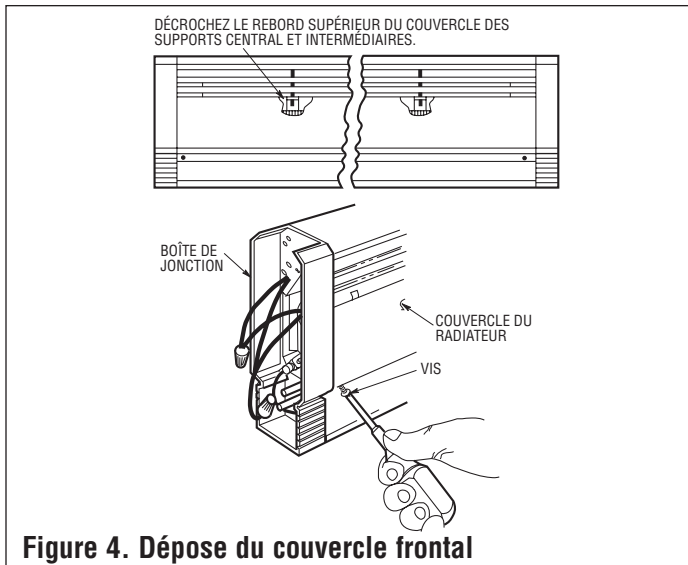


Figure 4. Dépose du couvercle frontal

6. Si plusieurs radiateurs sont branchés à la même dérivation, calculez la charge totale en ampères (voir le plaque de firme) et déterminez la section des câbles et le courant nominal du disjoncteur ou du fusible en conséquence. (Voir le tableau 2)

Tableau 2.

| Courant Total, A | Section Nominale AWG (conducteurs en cuivre) | Courant nominal du Disjoncteur ou du Fusible |
|------------------|--|--|
| 0 à 12 | 14 | 15 A |
| 12,1 à 16 | 12 | 20 A |
| 16,1 à 24 | 10 | 30 A |

7. Installez les câbles pour l'alimentation du radiateur et le thermostat, selon le type de thermostat choisi. Si les câbles d'alimentation passent par un disque défonçable à l'arrière du radiateur, posez un caccord (non fourni) à l'extrémité du câble et fixez le raccord dans l'ouverture en laissant dépasser une longueur de câble de 6 à 8 po (152 à 203mm) pour le branchement au radiateur.

8. Si les câbles d'alimentation passent par une ouverture dans le fond de la boîte de jonction, le raccord de câble est facultatif.

9. Placez le radiateur contre le mur et repérez les poteaux du mur. Percez des trous dans la paroi arrière du radiateur (au-dessus de l'élément) vis-à-vis des poteaux, à l'aide d'une perceuse ou d'un emporte-pièce, ou clouez le radiateur à l'aide d'une cloueuse.

NOTE : Le boîtier du radiateur est marqué aux points de clouage appropriés.

Voici des méthodes suggérées pour la fixation des radiateurs à différents types de revêtement mural.

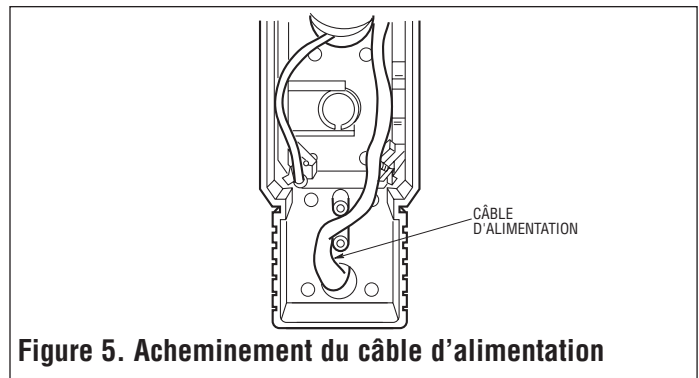


Figure 5. Acheminement du câble d'alimentation

a. **Panneaux de plâtre** : Utilisez des chevilles élastiques ou des boulons à ailettes.

b. **Poteaux** : Utilisez des vis n° 12 à tête ronde pénétrant d'au moins 3/4 po (19mm) dans le poteau, ou une cloueuse GN4.

c. **Maçonnerie** : Utilisez des vis n° 12 à tête ronde et des chevilles en plomb, en plastique ou en fibre.

Serrez les vis à fond puis desserrez-les d'un demi-tour en prévision de la dilatation et de la contraction de la paroi arrière.

10. Branchez le radiateur selon la figure 6 ou selon le schéma de câblage de l'accessoire destiné à ce radiateur.

11. Fixez les accessoires au radiateur selon le feuillet d'instructions de l'accessoire et suivez les instructions du schéma de câblage de l'accessoire.

NOTE : Les radiateurs électriques doivent être commandés par un thermostat.

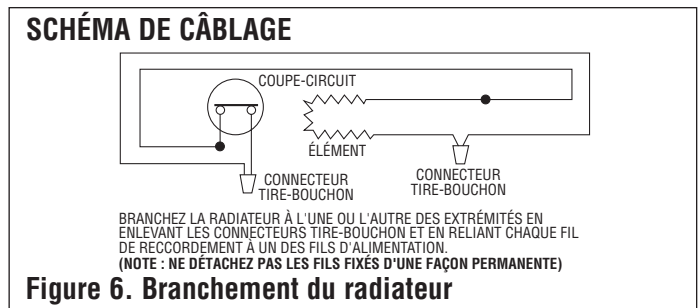


Figure 6. Branchement du radiateur

12. Reposez le couvercle frontale en accrochant le rebord supérieur sur la patte des boîtes de jonction et sur la patte supérieure des supports de l'élément. Pivotez le couvercle vers le bas et poussez le bord inférieur vers le radiateur. Posez les vis (enlevées à l'étape 4) fixant le couvercle aux boîtes de jonction. Assurez-vous que le bord inférieur du couvercle s'emboîte sur la patte inférieure des supports de l'élément (voir la figure 7).

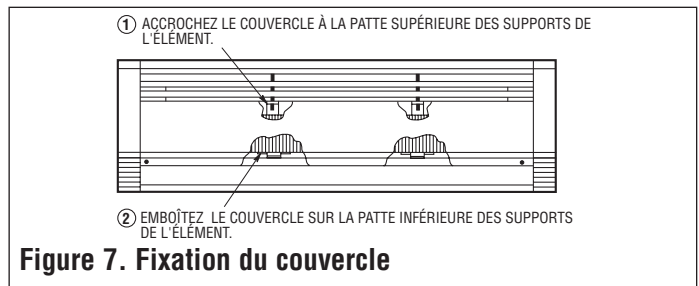


Figure 7. Fixation du couvercle

13. Reposez les couvercles latéraux au moyen des vis (enlevées à l'étape 3).

INSTALLATION DE RADIATEURS EN BATTERIE

1. Placez les radiateurs en file avec un dégagement de 1/32 po (0,76mm) en prévision de la dilatation.

2. Installez chaque radiateur selon les instructions INSTALLATION D'UN RADIATEUR SIMPLE, étapes 1 à 8.

3. Si le branchement doit être fait à l'extrémité de la file, de sorte que le couvercle latéral peut être posé après l'installation des radiateurs, poursuivez l'installation selon les étapes 9 à 12 des instructions INSTALLATION D'UN RADIATEUR SIMPLE.

- Si le branchement doit être fait dans une boîte de jonction intermédiaire de la file, il est plus simple d'effectuer les connexions avant de fixer les radiateurs au mur. Si n'est pas possible de procéder ainsi, on peut effectuer les connexions par l'ouverture des boîtes de jonction une fois les couvercles frontaux enlevés (voir la figure 8).

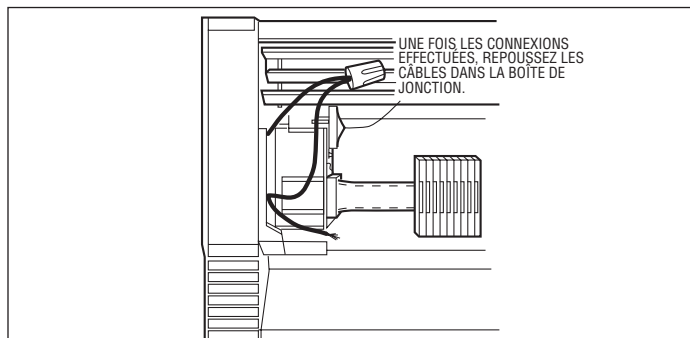


Figure 8. Connexions effectuées par l'ouverture de la boîte de jonction

- Pour acheminer les câbles raccordant deux radiateurs adjacents, on peut percer un trou de 1/2 po (12,7mm) de diamètre dans les couvercles latéraux mitoyens (voir la figure 9).

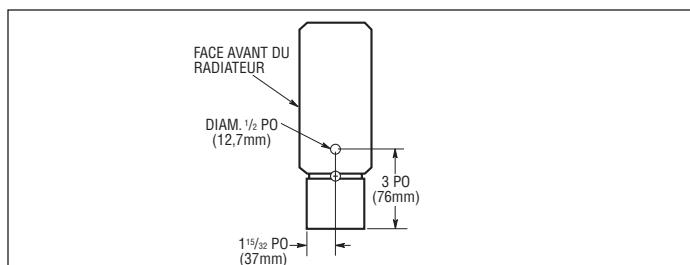


Figure 9. Perçage des couvercles latéraux

- Raccordez les radiateurs selon le schéma de câblage de la figure 10.

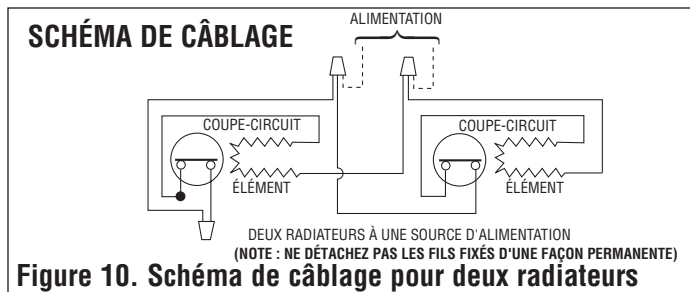


Figure 10. Schéma de câblage pour deux radiateurs

- Reposez les couvercles frontaux et latéraux selon les étapes 12 et 13 des instructions INSTALLATION D'UN RADIATEUR SIMPLE.

INSTRUCTIONS D'EXPLOITATION ET DE MAINTENANCE

- On recommande un thermostat intégré au radiateur ou mural pour chaque pièce. Pour les grandes pièces, on recommande un thermostat basse tension et un ou plusieurs relais pour un confort optimal.

Emplacement conseillé du thermostat

- À au moins 2 pi (61cm) de tout mur extérieur.
- À environ 5 pi (1,5m) au-dessus du plancher, de préférence sur un mur intérieur.

Emplacements déconseillés du thermostat

- Près d'un téléviseur ou autre appareil qui dégage de la chaleur.
- Dans un courant d'air près d'une embrasure de porte.
- Au soleil.

- Une fois tous les radiateurs installés, réglez tous les thermostats à la position BAS ou FROID. Placez les disjoncteurs à la position Marche ou posez les fusibles. Attendez 3 à 5 min pour vous assurer qu'aucun radiateur n'est sous tension. Si un radiateur est sous tension, coupez l'alimentation et vérifiez les connexions. Si aucun radiateur n'est sous tension, réglez les thermostats au maximum et attendez 3 à 5 min. Assurez-vous que tous les radiateurs sont sous tension. S'il y a un radiateur hors tension, coupez l'alimentation et vérifiez les connexions.

- Laissez les radiateurs chauffer de façon continue pendant environ 1/2 h. Pendant un certain temps après la mise en service d'un radiateur, le propriétaire peut remarquer que celui-ci dégage une « drôle d'odeur ». Cette odeur est normale dans le cas d'une nouvelle installation et disparaît rapidement si on laisse les radiateurs chauffer de façon continue.

- Réglez tous les thermostats à la température d'ambiance désirée.

- Nettoyage du radiateur :** Étant donné le principe du chauffage par convection, le passage de l'air autour des ailettes de l'élément chauffant dépose avec le temps de la poussière entre ces dernières. Pour un rendement optimal du radiateur, cette poussière devrait être enlevée. À cette fin, on recommande de passer un aspirateur équipé d'une brosse appropriée le long du dessus et du dessous de l'élément chauffant.

NOTE : On peut nettoyer au besoin les pièces peintes de ce radiateur à l'aide d'un linge légèrement humide. N'utilisez pas de produits de nettoyage contenant de la cire ni de produits à polir car la cire peut s'évaporer lorsque le radiateur chauffe et décolorer la peinture.

GARANTIE LIMITÉE

Tous les produits mentionnés dans la présente notice sont garantis contre tout vice de matière et de construction pour une durée d'une année à partir de la date de montage, à l'exception des éléments de chauffage qui sont garantis contre tout défaut de matière et de construction pour une durée de dix années à partir de la date de montage. Cette garantie ne s'applique pas aux dommages provoqués par un accident, une mauvaise utilisation ou une modification; elle ne s'applique pas non plus lorsque l'appareil a été branché sur un courant de tension supérieure de plus de 5% à la tension indiquée sur la plaque signalétique, ni à du matériel incorrectement monté, câblé ou entretenu, de façon non conforme à cette notice. Toute réclamation dans le cadre de la garantie doit être accompagnée d'une preuve de la date de montage.

Les frais de démontage et de remontage des produits, y compris de main-d'oeuvre ainsi que les frais d'expédition à un centre de réparation Marley Engineered Products seront à la charge du client. Retourner, dans les limites de cette garantie, l'appareil en panne, à l'atelier de réparations agréé Marley le plus proche ou au Centre de réparations Marley Engineered Products et nous le réparerons ou le remplacerons à notre choix, sans frais pour vous, l'expédition de retour étant à notre charge. Il est entendu que la réparation ou le remplacement constitue le remède exclusif fourni par Marley Engineered Products.

LES GARANTIES CI-DESSUS REMPLACENT TOUTES LES AUTRES GARANTIES EXPLICITES OU IMPLICITES ET TOUTES LES GARANTIES IMPLICITES DE QUALITÉ MARCHANDE ET D'ADAPTATION À UN BUT PARTICULIER DÉPASSANT LES GARANTIES EXPLICITES SUS-MENTIONNÉES SONT REJETÉES ET EXCLUES DE CE CONTRAT. MARLEY ENGINEERED PRODUCTS NE SERA PAS RESPONSABLE DES DOMMAGES INDIRECTS PROVOQUÉS PAR LE PRODUIT, QUE LA RÉCLAMATION SE FONDE SUR UNE FAUTE, LA NÉGLIGENCE, LA STRICTE RESPONSABILITÉ OU LE CONTRAT.

Certains états ne permettent pas les exclusions ou les limites aux dommages indirects ou consécutifs; les exclusions ou limites exposées ci-dessus risquent donc de ne pas s'appliquer à vous. Cette garantie vous donne des droits spécifiques face à la loi et vous pouvez disposer d'autres droits, variables d'un état à un autre.

Pour obtenir l'adresse du réparateur agréé le plus proche de chez vous, adressez-vous à Marley Engineered Products, 470 Beauty Spot Road East, Bennettsville, South Carolina, 29512 U.S.A. Toute marchandise renvoyée à l'usine doit être accompagnée d'une autorisation de retour et d'une étiquette d'identification de réparation à obtenir à l'adresse ci-dessus. Indiquer dans toute demande d'autorisation, la référence catalogue figurant sur les produits.



Marley
Engineered Products

An **SPX** Company
470 Beauty Spot Rd. East
Bennettsville, SC 29512 USA

COMMENT OBTENIR DES INFORMATIONS GÉNÉRALES ET DEMANDER UNE RÉPARATION OU DES PIÈCES SOUS GARANTIE

- | | |
|--|--|
| 1. Réparations et pièces sous garantie | 1-800-642-4328 |
| 2. Achat de pièces de rechange | 1-800-654-3545 |
| 3. Informations générales sur les produits | www.marleymep.com |

Remarque : Lorsque vous demandez de l'assistance, ayez toujours en main

- Le numéro de modèle du produit
- La date de fabrication
- Numéro ou description de la pièce

ECR 36974

Part No. 5200-2083-005

11/06